

FunkiNet

Advantages of FunkiNet:

- Optimum overview
- Possibility of operating all control units from the same network
- Remote control and operation
- Common data collection and possibility of transferring data to external management programs
- User-friendly with identical user interface
- On-line sparring with external experts
- Modular-built software and electronic hardware

FunkiNet – a complete control system

- FunkiNet is a complete control system for liquid and dry feeding, milling and ventilation with common data collection
- The individual control units on the network are reached through the Farm Agent which is a common entry portal to the farm network

Control units in the FunkNet concept

- FunkiNet AutoFeed - control unit for liquid feeding
- FunkiNet MicroLiq - control unit for liquid vitamins and minerals
- FunkiNet Mill - control unit for milling systems
- FunkiNet DryFeed - dry feeding control unit for multi-phase feeding
- FunkiNet Ventilation - control unit for ventilation

Management control in the FunkiNet concept

- FunkiNet Master is a common history database, daily recording the pigs' key values
- FunkiNet Controller is a common farm database ensuring full traceability

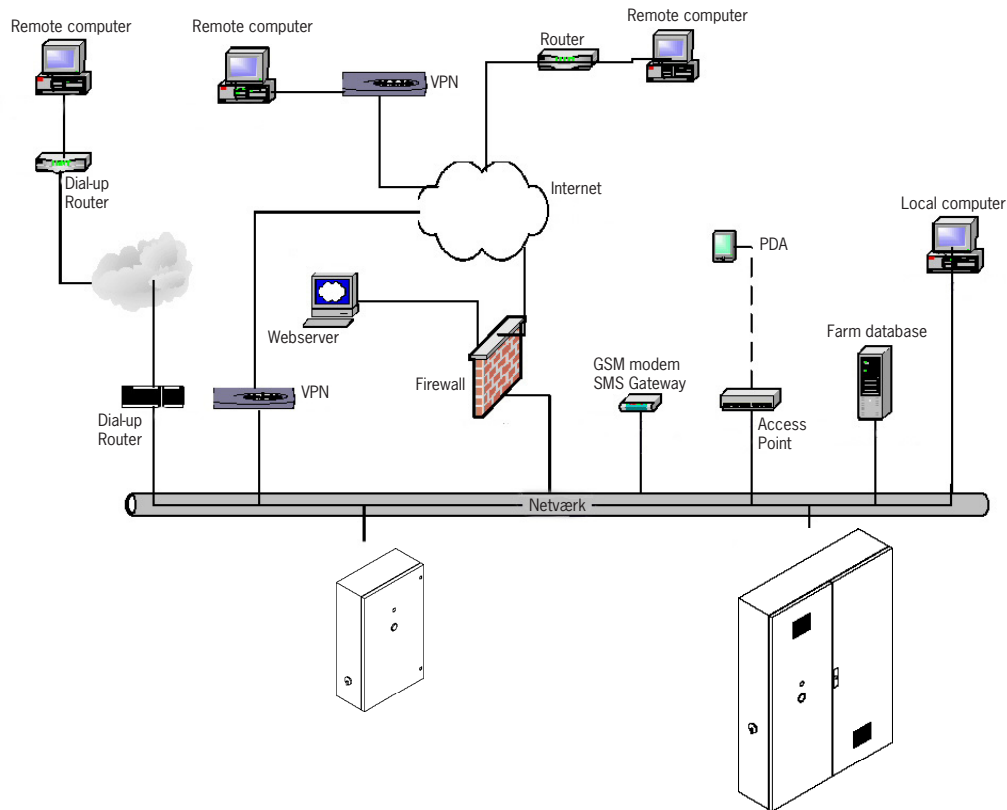
The individual control units in the FunkiNet concept consist of identical, electronic basic modules

The electronic hardware is based on the CAN-bus network which is a universal standard.

The electronic hardware has the following advantages:

- Improved weighing and distribution accuracy
- Improved reliability of operation
- Improved serviceability
- Modular-built and adjusted to individual requirements
- The different control units in the FunkiNet concept consist of identical, electronic basic modules

FunkiNet



Minimum requirements for the network PC

The following minimum requirements apply to hardware and software in order to be able to remote-control the FunkiNet programs on a separate computer.

- A personal computer (PC) with a x86 compatible processor with 1.5 GHz (recommended 2.0 GHz)
- 256 Mb RAM (recommended 512 Mb RAM)
- 20 GB hard disk, 2 GB free space on the hard disk for NET and FunkiNet GUI
- Standard display adapter
- 15" Super VGA-monitor (definition 1024x768 pixels in colours). (Recommended 17" Super VGA-monitor (definition 1280x1024 pixels in colours))
- Mouse and keyboard
- If required, printer port (USB or parallel)
- 10/100 Mb Ethernet network card
- Network connection to FunkiNet AutoFeed computer
- In order to print, the PC must be equipped with with a Microsoft Windows compatible printer
- Operating system Microsoft Windows XP SP1 or updated versions

Internet connection

The Internet connection must be established prior to start-up of the system. If not, ACO Funki will invoice all additional expenses incurred as a consequence of the lacking Internet connection. Furthermore, ACO Funki will not be able to render after-sales service after start-up.

The Internet connection must be established according to the following specifications

- At least 256/256 kb/sec (if this speed is not available, another can be agreed upon)
- Internet connection must be connected through a network router/firewall
- The network must be connected to the feed computer and the network PC
- A statically allocated IP address must be ordered from the Internet provider.

Network solutions

The individual FunkiNet control units can be connected to the local network. The network can be linked to other farms by means of a wireless network or the Internet to allow remote support and control from the same PC.

Maximum distance between the network units (computers)

- 100 m with Ethernet cable
- 2500 m with fibreoptic cable
- 3-4000 m with wireless connection (depending on local conditions)
- Globally with the Internet (requires ADSL on both locations)

A local network where the control units can be connected by means of Ethernet cables can be established by a local service centre.

Network solutions with fibreoptic cable or wireless connection are agreed upon in each individual case with the network supplier (not the Internet provider).