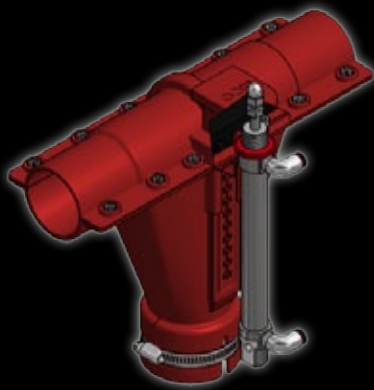




FUNKINET DRY SINGLE

Multi-phase feeding by pen level



- Exact feed mixing
- Feed consumption registration for every pen
- Full traceability
- High growth
- Low feed waste
- Low emissions of Nitrogen and Phosphorus
- Reliable

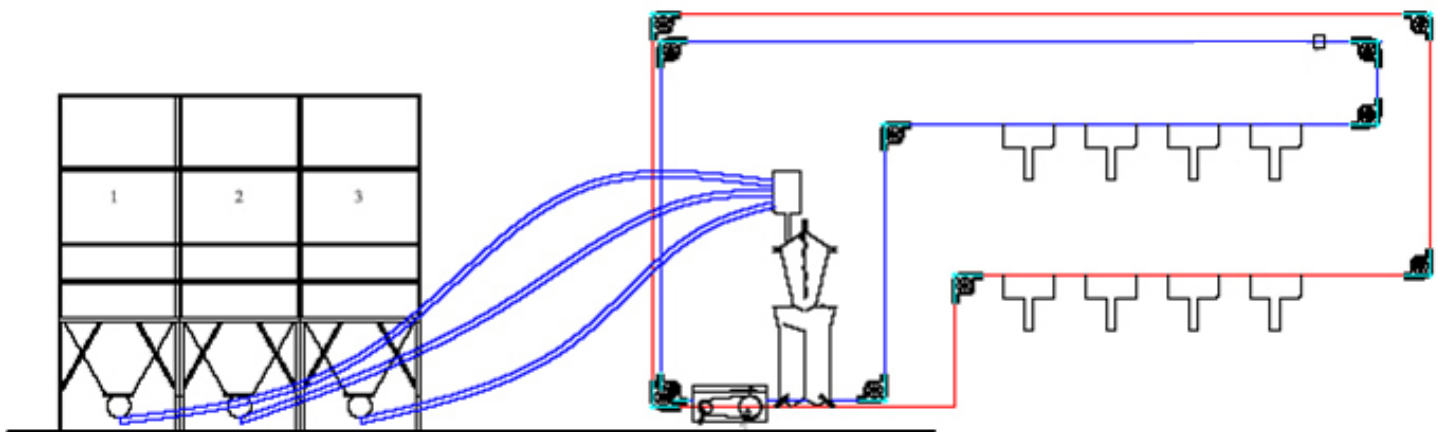
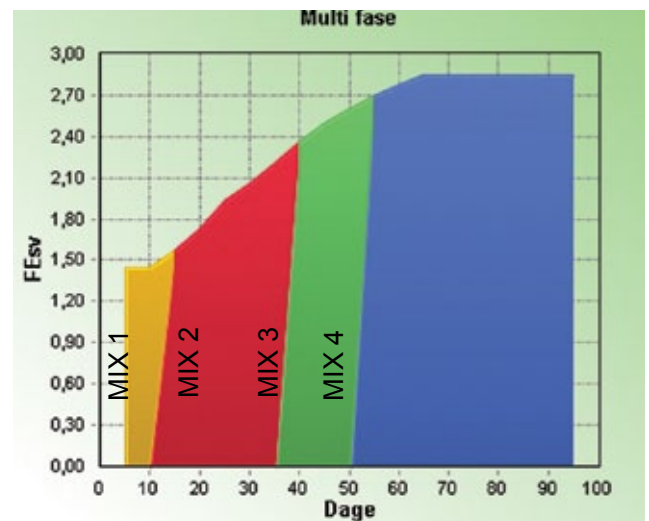
| FUNKINET DRY SINGLE |

Multi-phase feeding by pen level

The FunkiNet Dry Single concept can run with two independent dry feeding systems at the same time. That gives the system a unique high capacity.

Each feeder has an empty sensor and it is possible to decide the amount of feed and how often it has to fill the feeders.

Thus, you can control the feed amount and the feed mix of each pen.



Subject to changes in materials and design is reserved.

B-1043-GB



ACO FUNKI A/S
Kirkevænget 5
DK-7400 Herning
T. +45 9711 9600
www.acofunki.com

